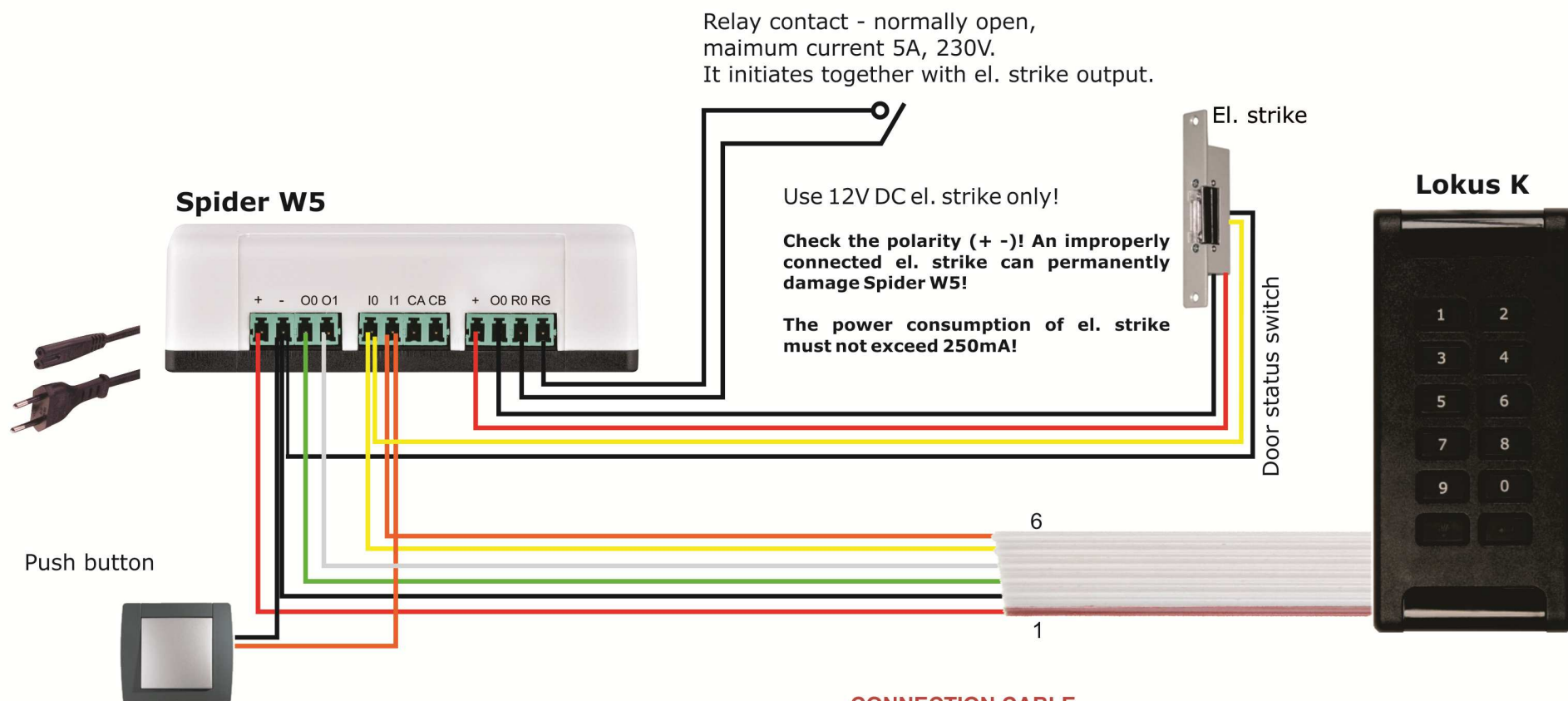


Wiring Diagram: Lokus K with Spider W5



Connect the Lokus to the Spider W5 power supply as shown in the diagram with a standard UTP cable.

For distances greater than 25m, use one twisted pair of UTP cable for each pole (+ and -).

The cable length between the power supply and the Lokus should not exceed 50m. Connect the Spider W5 to the mains power 110-230V AC with the enclosed power cord.

CONNECTION CABLE

Wire	Colour	Description	Spider W5 Connector
1	Red	9-14V DC	+
2	Gray/Black	GND	-
3	Green	El. strike output	O0
4	White	Not connected	O1
5	Yellow	Door status switch input	I0
6	Orange	Push button input	I1

* 1. wire is coloured red

