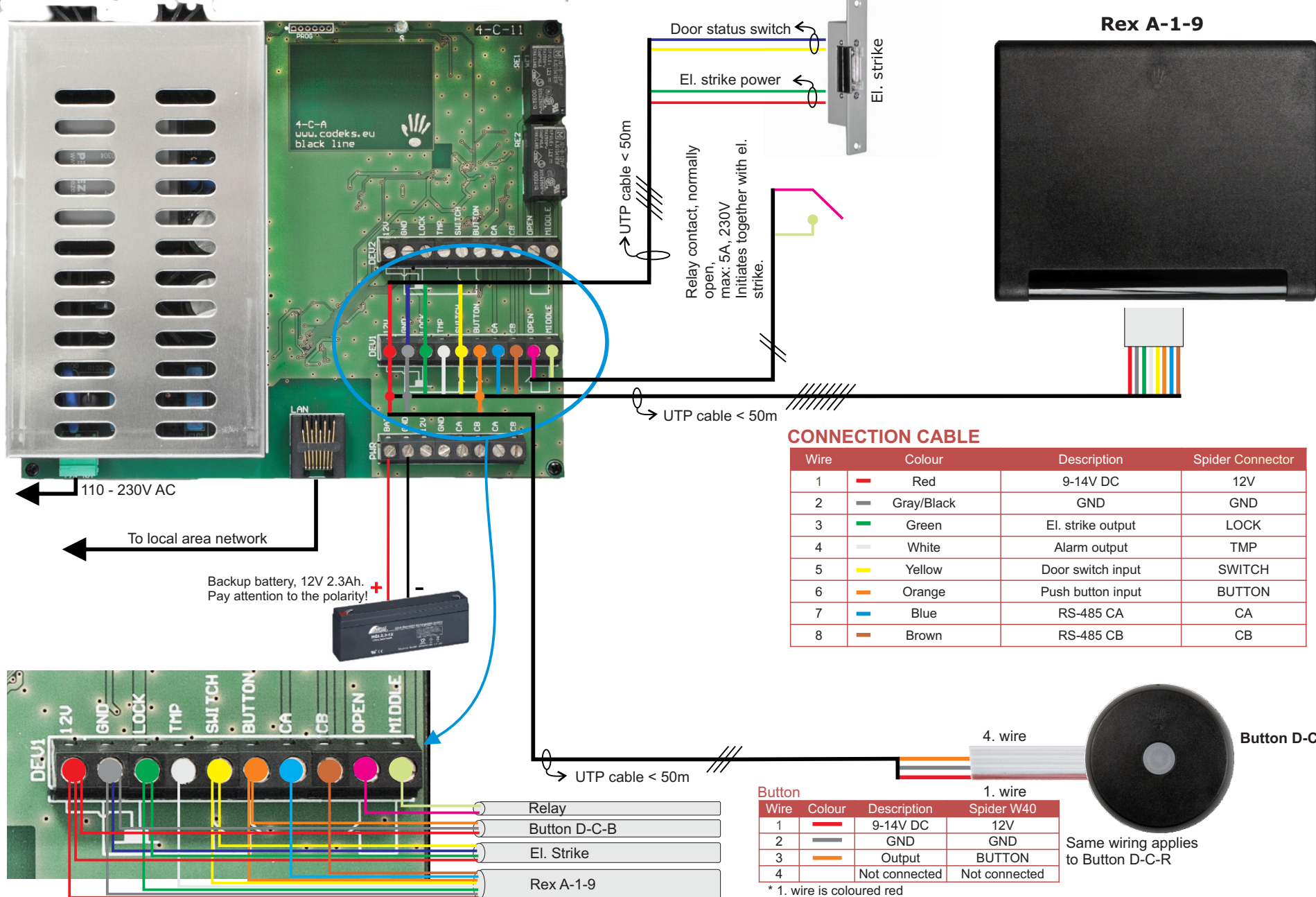


Wiring Diagram: Rex A-1-9 connected to Spider W40-NET

For connection use UTP cable. Cable length between devices must not exceed 50m. If cable length exceeds 25m, use one twisted pair (two wires) for each pole (+ and -).

Use 12V DC el. strike only!
 Check the polarity (+ -)!
 An improperly connected el. strike can permanently damage the device!
 The power consumption of el. strike must not exceed 250mA!



CONNECTION CABLE

Wire	Colour	Description	Spider Connector
1	Red	9-14V DC	12V
2	Gray/Black	GND	GND
3	Green	El. strike output	LOCK
4	White	Alarm output	TMP
5	Yellow	Door switch input	SWITCH
6	Orange	Push button input	BUTTON
7	Blue	RS-485 CA	CA
8	Brown	RS-485 CB	CB

Button		1. wire	
Wire	Colour	Description	Spider W40
1	Red	9-14V DC	12V
2	Gray	GND	GND
3	Orange	Output	BUTTON
4		Not connected	Not connected

* 1. wire is coloured red

