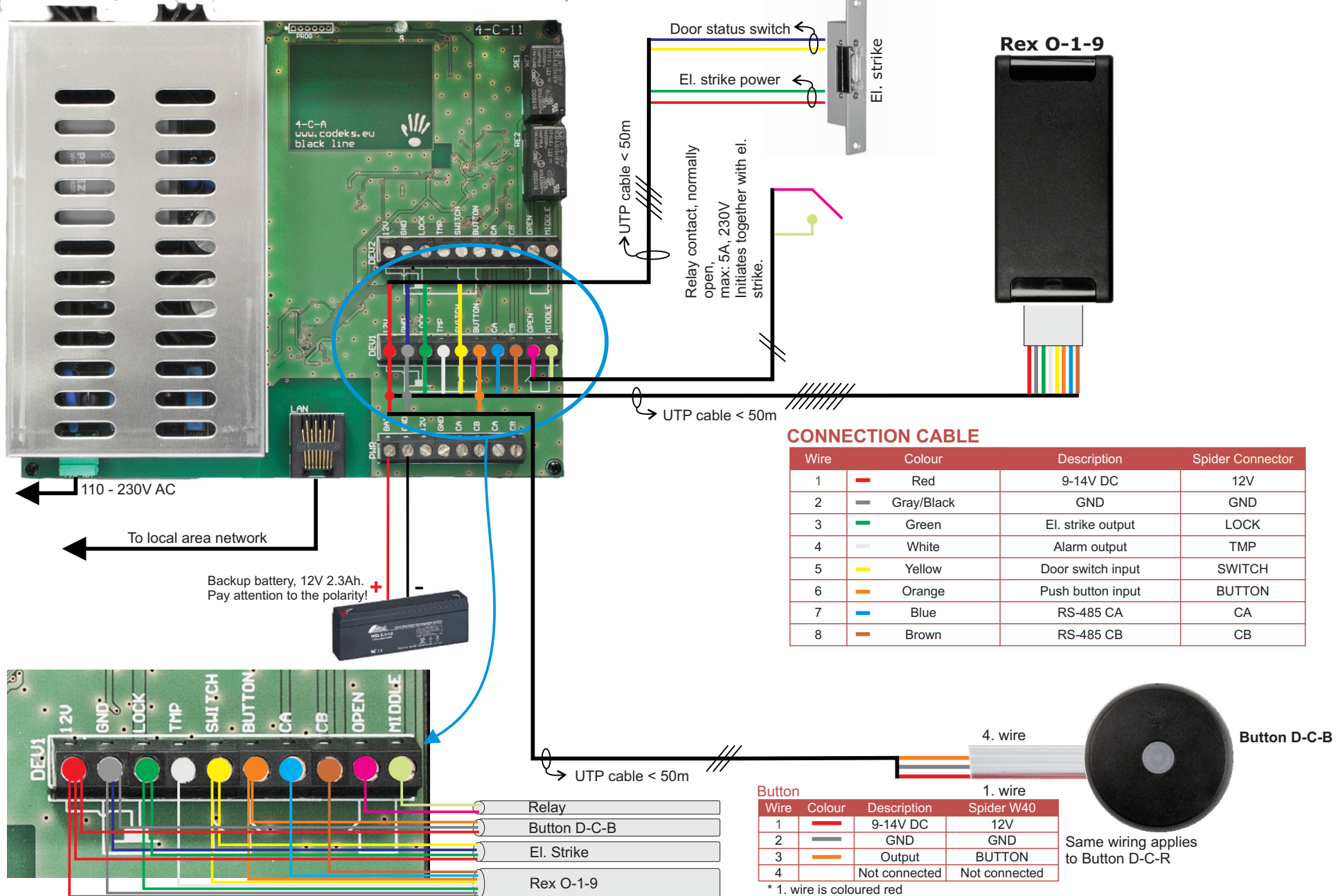


# Wiring Diagram: Rex O-1-9 connected to Spider W40-NET

For connection use UTP cable. Cable length between devices must not exceed 50m. If cable length exceeds 25m, use one twisted pair (two wires) for each pole (+ and -).

Use 12V DC el. strike only!  
Check the polarity (+ -)!  
An improperly connected el. strike can permanently damage the device!  
The power consumption of el. strike must not exceed 250mA!



### CONNECTION CABLE

| Wire | Colour     | Description       | Spider Connector |
|------|------------|-------------------|------------------|
| 1    | Red        | 9-14V DC          | 12V              |
| 2    | Gray/Black | GND               | GND              |
| 3    | Green      | El. strike output | LOCK             |
| 4    | White      | Alarm output      | TMP              |
| 5    | Yellow     | Door switch input | SWITCH           |
| 6    | Orange     | Push button input | BUTTON           |
| 7    | Blue       | RS-485 CA         | CA               |
| 8    | Brown      | RS-485 CB         | CB               |

| Button |        | 1. wire       |               |
|--------|--------|---------------|---------------|
| Wire   | Colour | Description   | Spider W40    |
| 1      | Red    | 9-14V DC      | 12V           |
| 2      | Gray   | GND           | GND           |
| 3      | Orange | Output        | BUTTON        |
| 4      |        | Not connected | Not connected |

\* 1. wire is coloured red